

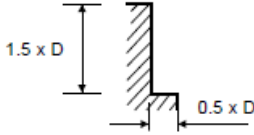


125103, 125303, 126103, 126303 (3 Flute Roughing)

MATERIAL GROUP		Type of cut		Size (mm)					
				6.0	8.0	10.0	12.0	16.0	20.0
N	Aluminium and Aluminium alloys		v_c (m/min)	200	200	205	320	322	320
			n	13500	10500	8500	8500	6400	5100
			f_z	0.168	0.167	0.169	0.167	0.167	0.165
			f (mm/min)	5300	4000	3500	3200	2400	1900
			v_c (m/min)	200	200	205	320	322	320
			n	13500	10500	8500	8500	6400	5100
			f_z	0.168	0.168	0.169	0.165	0.167	0.163
			f (mm/min)	6800	5300	4300	4200	3200	2500
SIDE CUTTING									
SLOTTING			